

## 2.5G DFB-LD Module

FT-D56x64Ax-00

### Features

- High stability DFB laser chip
- Data rate Up to 2.5Gbit/s
- Operate temperature from 0°C to +70°C
- LC&SC Receptacle



### Specification

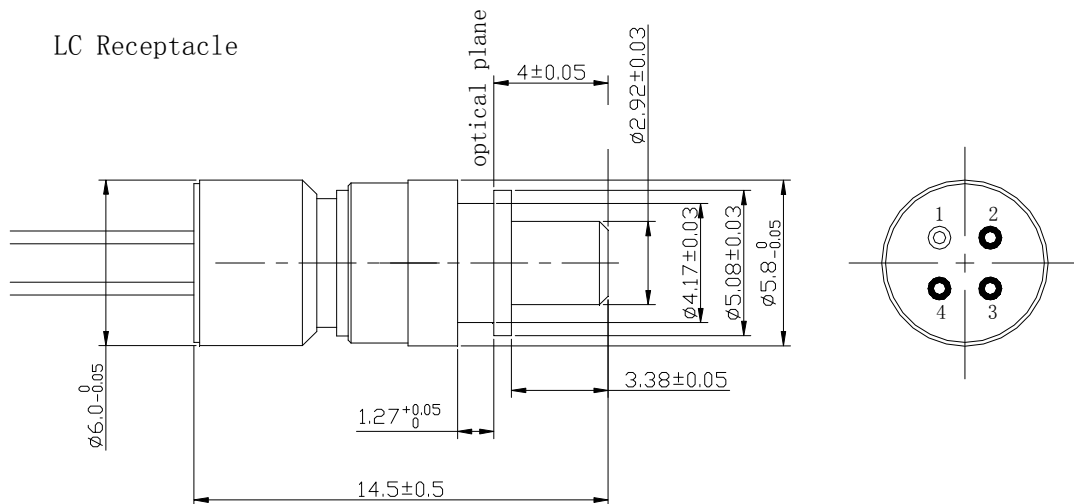
#### Absolute Maximum Ratings

Parameter	Symbol	Condition	Min	Max	Unit
Operating Case Temperature	$T_c$	--	0	70	°C
Storage Temperature	$T_{stg}$	--	-40	85	°C
Lead solder Temperature	--	--		260	°C
Lead Soldering Time	--	--		10	s

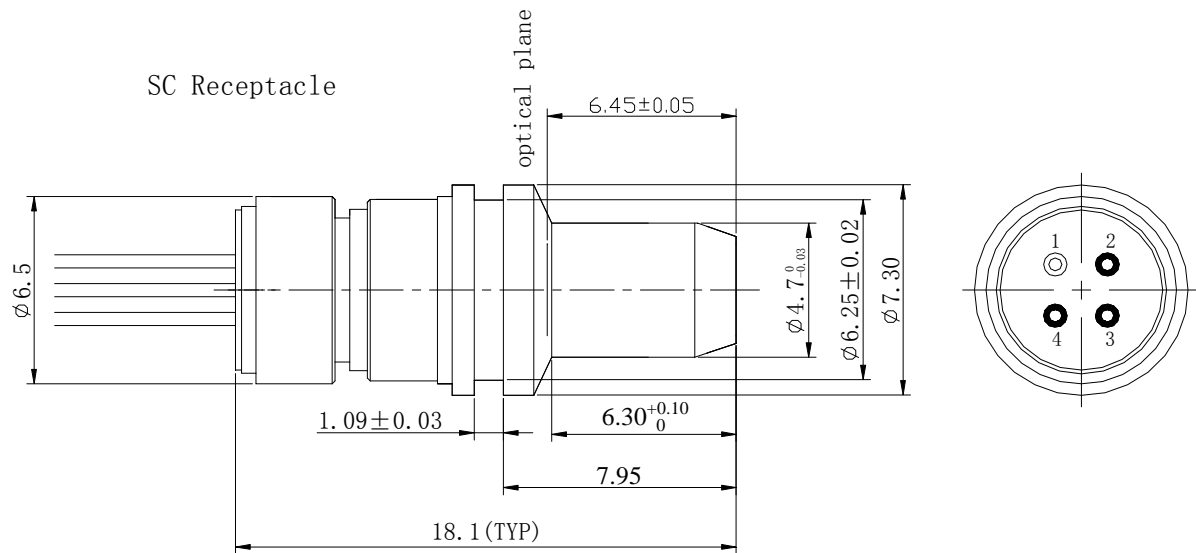
#### Optical/Electrical Characteristics (T=25°C, unless otherwise stated)

Parameter	Symbol	Min	Typ	Max	Unit	Test Conditions
Optical Output Power	$P_o$	1.2	--	2.5	mW	CW, $I_{op}=I_{th}+20mA$
Threshold Current	$I_{th}$	--	10	15	mA	T=25 °C
Forward Voltage	$V_F$	--	1.1	1.6	V	
Operating Current	$I_{op}$	--	30	40	mA	CW, T=25 °C
Center Wavelength	$\lambda_c$	1530	1550	1570	nm	CW, T=25 °C
Spectral Width (-20 dB)	-	--	--	1.0	nm	
Side-mode Suppression Ratio	SMSR	30	40	--	dB	
Rise/Fall Times	$t_R, t_F$	--	--	0.1	ns	20% to 80%
Relaxation Oscillation Frequency	$f_R$	--	2.5	--	GHz	
Monitor Current	$I_{mon}$	100	--	1000	$\mu A$	$V_R=5 V$ ,
Monitor Dark Current	$I_D$	--	--	10	nA	$V_R=5 V$

### Dimensions and Package Outline



**江苏飞格光电有限公司**  
**JIANGSU FIBER GRID CO., LTD**



**Order Information**

FT-	Device type (2Bit)	Data rate (1Bit)	Output power (1 Bit)	Top (1 Bit)	PIN (2 Bit)	Optical connector (1 Bit)	-00 (2 Bit)
TOSA	F3 : 1310FP F5 : 1550FP V8 : 850VCSEL D3 : 1310DFB D4 : 1490DFB D5 : 1550DFB 31 : 1310CWDM 47 : 1470CWDM 49 : 1490CWDM .....	1 : <100M 2 : 155M 3 : 622M 4 : 1.25G 5 : 2.125G 6 : 2.5G 7 : 3G 8 : 4G T : 10G	1 : <0.25mW 2 : 0.25~0.5mW 3 : 0.5~1.0mW 4 : 1.0~2.0mW F : 1.0~2.0Mw (With ISO) 5 : 2.0~4.0mW G : 2.0~4.0Mw (With ISO)	1 : 0~50 2 : 0~70 3 : -20~70 4 : 0~85 5 : -20~85 6 : -40~85	Refer to table PIN-Config	S : SC Receptacle F : FC Receptacle T : ST Receptacle L : LC Receptacle 1 : SC/PC Pigtail 2 : SC/APC Pigtail 3 : FC/PC Pigtail 4 : FC/APC Pigtail 5 : ST/PC Pigtail 6 : ST/APC Pigtail 7 : LC/PC Pigtail 8 : LC/APC Pigtail	Remark

**PIN-Config**

