

Bi-Directional Optical Module

FB-xx423AS3x-00

Features:

- FP&DFB uncooled laser diode
- High sensitivity PIN-TIA
- Operate in wide temperature range
- Coaxial Pigtail Package
- SC&LC receptacle



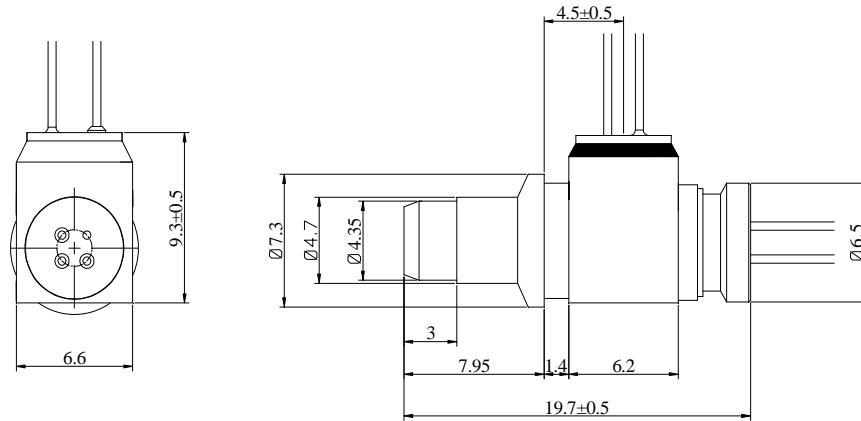
Application:

- 1.25Gbps FTTX application

Absolute Maximum Ratings

Num	Parameter	Unit	T=25℃
1	Storage Temperature	℃	-40~85
2	Operating Temperature	℃	-40~85
3	Lead Soldering Temperature	℃	260
4	Lead Soldering Time	S	10

Package Outline:



Order Information

FB-	λTX (1Bit)	λRX (1Bit)	Date Rate (1Bit)	Output Power (1Bit)	Top (1位)	PINTX (TX 1Bit)	PINRX (RX1位)	Connector (1位)
FW : BOSA	3 : 1310FP	3 : 1310nm	1 : <100M	1:<0.25mW	1 : 0~70	Refer to TX PIN-Config	Refer to RX PIN-Config	S : SC
	5 : 1550FP	4 : 1490nm	2 : 155M	2:0.25~0.5mW	2 : -20~70			F : FC
	8 : 850VCSEL	5 : 1550nm	3 : 622M	3:0.5~1.0mW	3 : -40~85			T : ST
	A : 1310DFB	4 : 1.25G	4:1.0~2.0mW				L : LC
	B : 1490DFB		5 : 2.125G	F:1.0~2.0mW (With ISO)				1 : SC/PC Pigtail
	C : 1550DFB			5:2.0~4.0mW G:2.0~4.0mW (With ISO)				2 : SC/APC Pigtail
.....						3 : FC/PC Pigtail		
							4 : FC/APC Pigtail	
							7 : LC/PC Pigtail	
							8 : LC/APC Pigtail	