

## 1.25G 1310nm FP LD TOSA

**FT-F3413xxL-00**

**Features:**

- High stability FP laser chip
- Data rate Up to 1.25Gbit/s
- Operate temperature from -40°C to +85°C
- LC Receptacle



**Absolute Maximum Ratings**

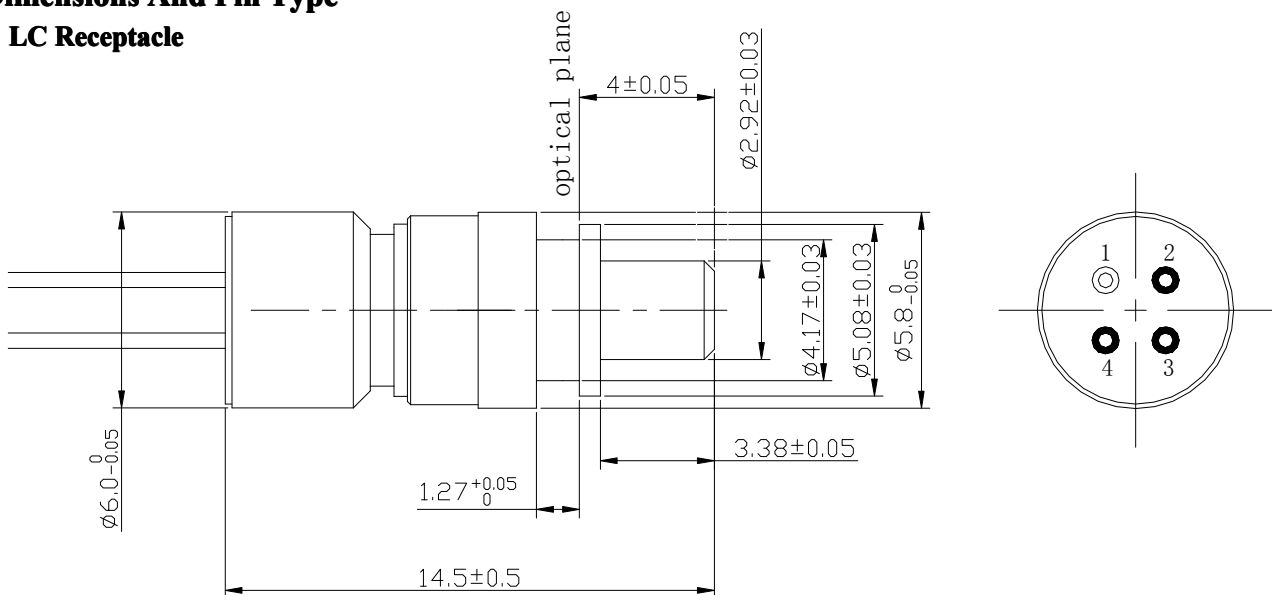
Parameter	Symbol	Condition	Min	Max	Unit
Operating Case Temperature	T <sub>c</sub>	--	-40	85	°C
Storage Temperature	T <sub>stg</sub>	--	-40	85	°C
Lead solder Temperature	--	--		260	°C
Lead Soldering Time	--	--		10	s

**Optical/Electrical Characteristics (T=25°C, unless otherwise stated)**

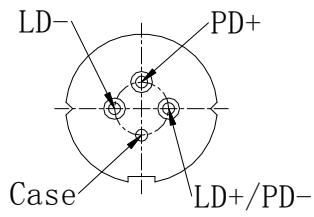
Parameter	Symbol	Min	Typ	Max	Unit	Test Conditions
Optical Output Power	P <sub>o</sub>	0.1	0.25	0.5	mW	CW, I <sub>op</sub> =30mA
Threshold Current	I <sub>th</sub>	--	10	15	mA	T=25 °C
Forward Voltage	V <sub>F</sub>	--	1.1	1.6	V	
Operating Current	I <sub>op</sub>	--	30	35	mA	CW, T=25 °C
Center Wavelength	λ <sub>c</sub>	1290	1310	1330	nm	CW, T=25 °C
Spectral Width (-20 dB)	-	--	--	3.5	nm	
Rise/Fall Times	t <sub>R</sub> , t <sub>F</sub>	--	--	0.2	ns	20% to 80%
Monitor Current	I <sub>mon</sub>	100	--	1000	μA	V <sub>R</sub> =5 V,
Monitor Dark Current	I <sub>D</sub>	--	--	0.1	uA	V <sub>R</sub> =5 V

**Dimensions And Pin Type**

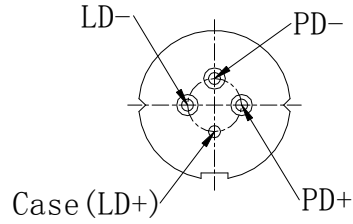
**LC Receptacle**



**Pin Type**



4A-TYPE



4S-TYPE

**Order information**

FT-F3413xxL-00

Pin Type: 4A—4A Type  
4S-- 4S Type