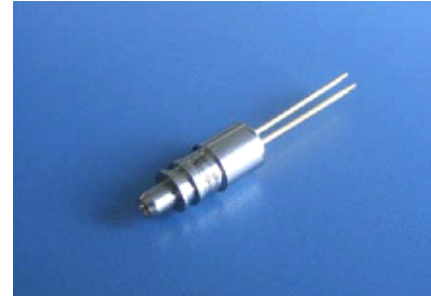


1550nm DFB LD TOSA (Built-in Isolator)

FT-D56G3xxL-00

Features:

High stability DFB laser chip
Data rate Up to 2.5Gbit/s
Operate temperature from -40°C to +85°C
LC Receptacle
Built-in Isolator



Absolute Maximum Ratings

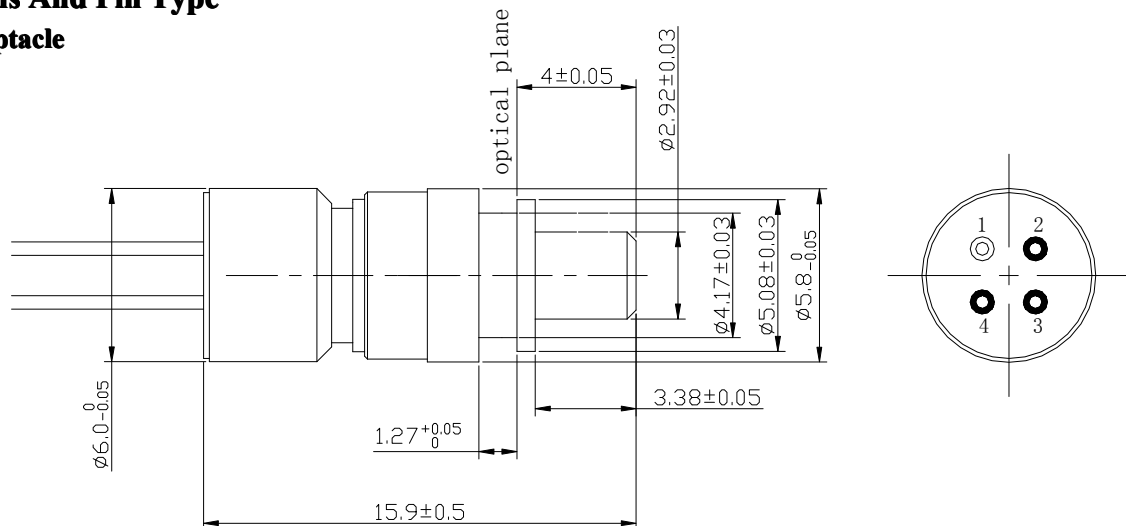
Parameter	Symbol	Condition	Min	Max	Unit
Operating Case Temperature	T_c	--	-40	85	°C
Storage Temperature	T_{stg}	--	-40	85	°C
Lead solder Temperature	--	--		260	°C
Lead Soldering Time	--	--		10	s

Optical/Electrical Characteristics (T=25°C, unless otherwise stated)

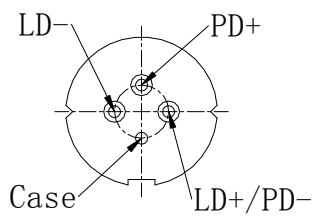
Parameter	Symbol	Min	Typ	Max	Unit	Test Conditions
Optical Output Power	P_o	1.5	--	4.0	mW	CW, $I_{op}=30mA$
Threshold Current	I_{th}	--	10	15	mA	T=25 °C
Forward Voltage	V_F	--	1.1	1.6	V	
Operating Current	I_{op}	--	30	40	mA	CW, T=25 °C
Center Wavelength	λ_c	1530	1550	1570	nm	CW, T=25 °C
Side-mode Suppression Ratio	SMSR	30	40	--	dB	$I_{op}=30mA$
Isolator		35			dB	
Spectral Width (-20 dB)	-	--	--	1.0	nm	
Rise/Fall Times	t_R, t_F	--	--	0.1	ns	20% to 80%
Monitor Current	I_{mon}	100	--	1000	μA	$V_R=5 V$,
Monitor Dark Current	I_D	--	--	0.1	μA	$V_R=5 V$

Dimensions And Pin Type

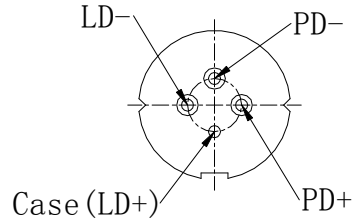
LC Receptacle



Pin Type



4A-TYPE



4S-TYPE

Order information

FT-D56G2xxL-00

