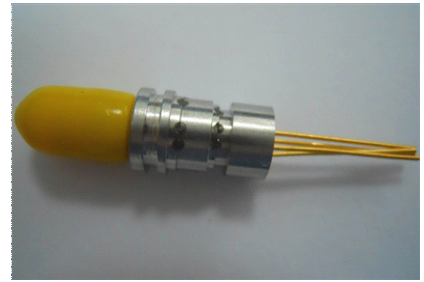


## CWDM DFB LD TOSA(Built-in Isolator)

**FT-xx6G2xxS-00**

**Features:**

- High stability CWDM DFB laser chip
- Data rate Up to 2.5Gbit/s
- Operate temperature from -20°C to +70°C
- SC Receptacle
- Built-in Isolator



**Absolute Maximum Ratings**

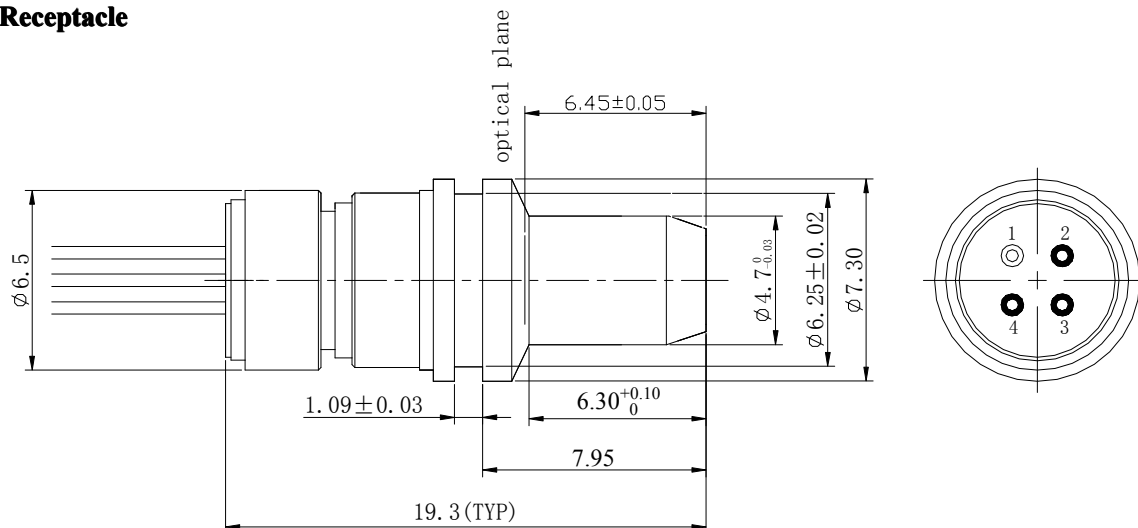
Parameter	Symbol	Condition	Min	Max	Unit
Operating Case Temperature	$T_c$	--	-20	70	°C
Storage Temperature	$T_{stg}$	--	-40	85	°C
Lead solder Temperature	--	--		260	°C
Lead Soldering Time	--	--		10	s

**Optical/Electrical Characteristics (T=25°C, unless otherwise stated)**

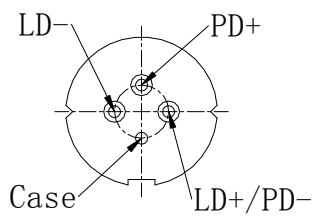
Parameter	Symbol	Min	Typ	Max	Unit	Test Conditions
Optical Output Power	$P_o$	1.5	2.5	4.0	mW	CW, $I_{op}=30mA$
Threshold Current	$I_{th}$	--	8	15	mA	T=25 °C
Forward Voltage	$V_F$	--	1.1	1.6	V	
Operating Current	$I_{op}$	--	30	40	mA	CW, T=25 °C
Center Wavelength	$\lambda_c$	$\lambda_p-3$	$\lambda_p$	$\lambda_p+3$	nm	CW, T=25 °C
Side-mode Suppression Ratio	SMSR	35	40	--	dB	$I_{op}=30mA$
Isolator		35			dB	
Spectral Width (-20 dB)	-	--	0.1	1.0	nm	
Rise/Fall Times	$t_R, t_F$	--	--	0.1	ns	20% to 80%
Monitor Current	$I_{mon}$	100	--	1000	$\mu A$	$V_R=5 V,$
Monitor Dark Current	$I_D$	--	--	0.2	$\mu A$	$V_R=5 V$

**Dimensions And Pin Type**

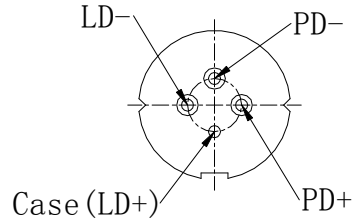
**SC Receptacle**



**Pin Type**



4A-TYPE



4S-TYPE

**Order information**

FT - xx 6 G 2 xx S - 0 0

