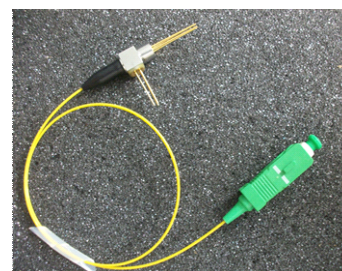


T1310FP/R1490nm 1.25G Pigtail BOSA

FB-34433ASx-00

Features:

High stability FP laser chip
InGaAs/InP PIN detector with TIA
Operate temperature from -40°C to +85°C
SC&FC&LC pigtail connector



Absolute Maximum Ratings

Parameter	Symbol	Condition	Min	Max	Unit
Operating Case Temperature	T _c	--	-40	85	°C
Storage Temperature	T _{stg}	--	-40	85	°C
Lead solder Temperature	--	--		260	°C
Lead Soldering Time	--	--		10	s

Optical/Electrical Characteristics (T=25°C, unless otherwise stated)

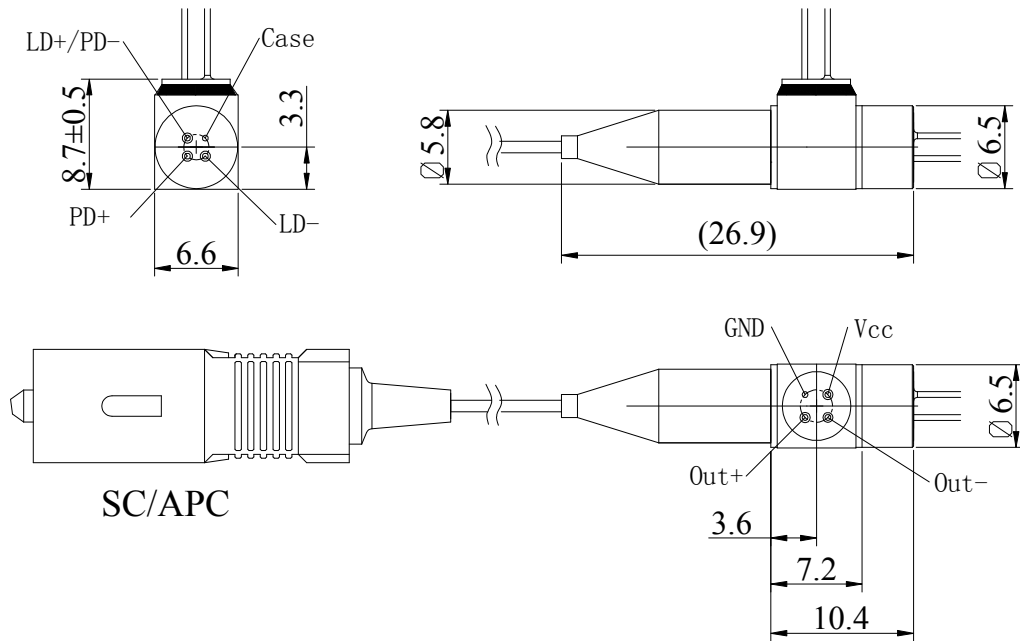
1310nm FP Laser Transmitter

Parameter	Symbol	Min	Typ	Max	Unit	Test Conditions
Optical Output Power	P _o	0.5	--	1.5	mW	CW, I _{op} =30mA
Threshold Current	I _{th}	--	10	15	mA	T=25 °C
Forward Voltage	V _F	--	1.1	1.6	V	
Operating Current	I _{op}	--	30	35	mA	CW, T=25 °C
Center Wavelength	λ _c	1290	1310	1330	nm	CW, T=25 °C
Spectral Width (-20 dB)	Δλ	--	--	4	nm	
Rise/Fall Times	t _R , t _F	--	--	0.2	ns	20% to 80%
Monitor Current	I _{mon}	100	--	800	μA	V _R =5 V,
Monitor Dark Current	I _D	--	--	0.1	uA	V _R =5 V

1490nm 1.25Gbps Receiver

Parameter	Symbol	Min	Typ	Max	Unit	Test Conditions
Supply Voltage	VCC	3.0	3.3	3.6	V	
Supply Current	ICC	-	30	40	mA	No loads
Differential responsivity	R _d	9.6	--	32	mV/uW	R _{load} =100 Ω, λ=1490nm, P= -24dBm
Single ended responsivity	R _s	4.8	--	16	mV/uW	R _{load} =50 Ω, λ=1490nm, P= -24dBm
Small-Signal Bandwidth	Bw	700	-	-	MHZ	λ = 1490 nm, Pf=10uW
Low-Frequency Cut off	LF	--	--	115	KHZ	
Rise /Fall Time(20%~80%)	Tr/f		300	400	ps	λ = 1490 nm, P= -24dBm
Saturation Power	Psat	0			dBm	λ=1490nm
Wavelength	λ	1450	1490	1510	nm	
Single ended output impedance	R _o	35	50	65	ohm	
Sensitivity		--	--	-24	dBm	λ = 1490 nm, 1.25Gbps, PRBS7, ER=10dB, BER=1E-10

**Dimensions And Package Outline
(SC/APC Pigtail Connector)**



Order information

FB-34433ASx-00

- Optical Connector: 1--SC/PC Pigtail
 2-- SC/APC Pigtail
 3--FC/PC Pigtail
 4--FC/APC Pigtail
 7--LC/PC Pigtail
 8--LC/APC Pigtail