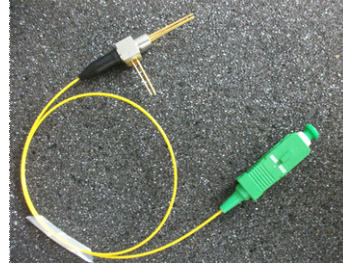


T1310DFB/R1550nm 1.25G Pigtail BOSA

FB-A5453ASx-00

Features:

High stability DFB laser chip
InGaAs/InP PIN detector with TIA
Operate temperature from -40°C to +85°C
SC&FC&LC pigtail connector



Specification:

Absolute Maximum Ratings

Parameter	Symbol	Condition	Min	Max	Unit
Operating Case Temperature	T_c	--	-40	85	°C
Storage Temperature	T_{stg}	--	-40	85	°C
Lead solder Temperature	--	--		260	°C
Lead Soldering Time	--	--		10	s

Optical/Electrical Characteristics (T=25°C, unless otherwise stated)

1310nm DFB Laser Transmitter

Parameter	Symbol	Min	Typ	Max	Unit	Test Conditions
Optical Output Power	P_o	2.0	--	4.0	mW	CW, $I_{op}=30mA$
Threshold Current	I_{th}	--	8	15	mA	$T=25\text{ }^\circ\text{C}$
Forward Voltage	V_F	--	1.1	1.6	V	
Operating Current	I_{op}	--	30	35	mA	CW, $T=25\text{ }^\circ\text{C}$
Center Wavelength	λ_c	1290	1310	1330	nm	CW, $T=25\text{ }^\circ\text{C}$
Spectral Width (-20 dB)	$\Delta\lambda$	--	0.1	1.0	nm	
Wavelength temperature coefficient	$\Delta\lambda/\Delta T$		0.08	0.12	nm/°C	
Side-Mode Suppression Ratio	SMSR	30	40		dB	$I_{op}=30mA$
Relaxation Oscillation Frequency	f_R	--	4.5	--	GHZ	$I_{op}=30mA$
Rise/Fall Times	t_R, t_F	--	--	0.1	ns	20% to 80%
Monitor Current	I_{mon}	100	--	1000	μA	$V_R=5\text{ V}$,
Monitor Dark Current	I_D	--	--	200	nA	$V_R=5\text{ V}$

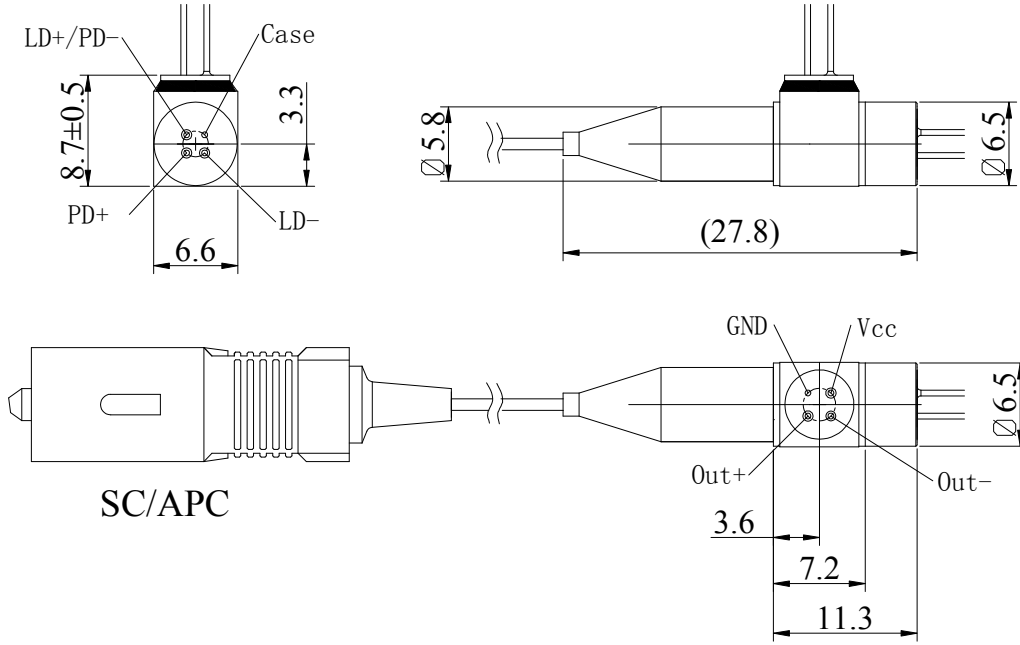
1550nm 1.25Gbps Receiver

Parameter	Symbol	Min	Typ	Max	Unit	Test Conditions
Supply Voltage	VCC	3.0	3.3	3.6	V	
Supply Current	ICC	-	30	40	mA	No loads
Differential responsivity	R_d	9.6	--	32	mV/uW	$R_{load}=100\ \Omega$, $\lambda=1550nm$, $P=-24dBm$
Single ended responsivity	R_s	4.8	--	16	mV/uW	$R_{load}=50\ \Omega$, $\lambda=1550nm$, $P=-24dBm$
Small-Signal Bandwidth	Bw	700	-	-	MHZ	$\lambda = 1550\text{ nm}, P_f=10\ \mu W$
Low-Frequency Cut off	LF	--	--	115	KHZ	
Rise /Fall Time(20%~80%)	T_r/f		300	400	ps	$\lambda = 1550\text{ nm}, P=-24dBm$
Saturation Power	P_{sat}	0			dBm	$\lambda=1550nm$
Wavelength	λ	1540	1550	1560	nm	

江苏飞格光电有限公司
JIANGSU FIBER GRID CO., LTD

Single ended output impedance	Ro	35	50	65	ohm	
Sensitivity		--	--	-24	dBm	$\lambda = 1550 \text{ nm}$, 1.25Gbps, PRBS7, ER=10dB, BER=1E-10

Dimensions And Package Outline
(SC/APC Pigtail Connector)



Order information

FB-A5453ASx-00

- Optical Connector: 1--SC/PC Pigtail
2-- SC/APC Pigtail
3--FC/PC Pigtail
4--FC/APC Pigtail
7--LC/PC Pigtail
8--LC/APC Pigtail

